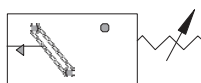
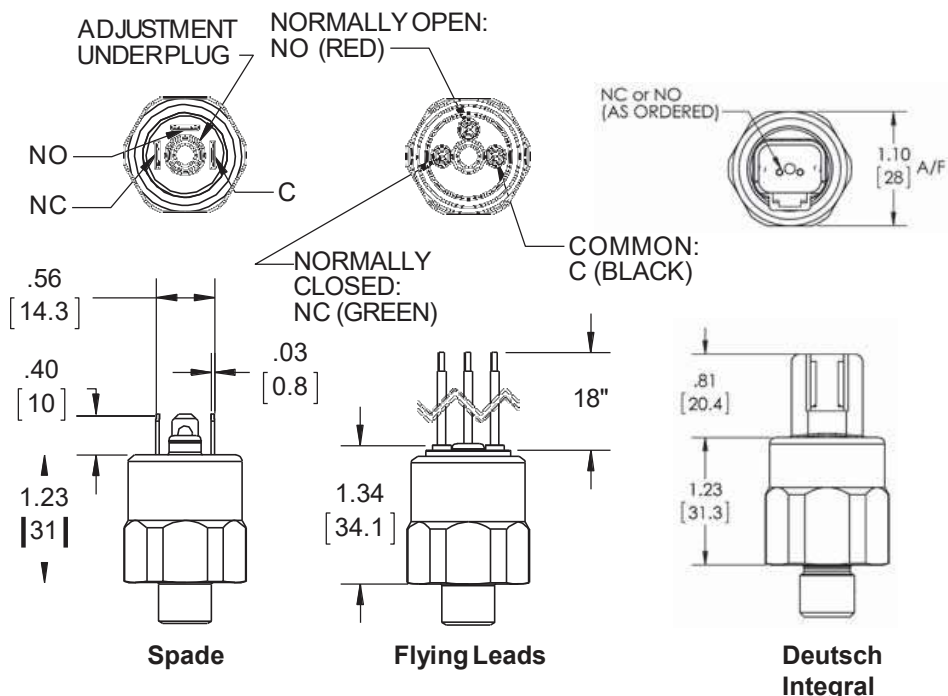


MPL Field Pressure Switch

Field Adjustable Pressure Switch - specific to decoder and radio input channels

Common Uses

- Post Field Valves for loss of pressure monitoring
- Field filter blockage indicator
- Irrigation system operating pre-set pressure



Distributed in Australia by:

MPL Field Pressure Switch



Image courtesy of Baccara Geva



	Adjustment Range	Avg. Differential		
1	3 - 20	0.2 - 1.4	2 - 5	0.13 - 0.4
2	15 - 80	1.03 - 6	4 - 7	0.27 - 0.5
3	50 - 150	3.5 - 10	7 - 15	0.5 - 1.0

<p>ELECTRICAL: Standard: 5A, 125V/250VAC - U.L. Recognized* 26°o 110°C) 5A, 12/24VDC - U.L. Recognized* Integral - IP69 Option -7: 0.2A, 60VDC - U.L. Recognized* 110°C)</p> <p>MANUFACTURER'S OTHER RATING: of DuPont) 5A @ 40VDC</p> <p>WETTED MATERIAL: Diaphragm: Buna-N Standard (optional EPDM, KAPTON®, VITON®) Housing: Glass Filled Nylon</p>	<p>PROTECTION: Exposed Terminals – IP00 EPDM: -10° to +250°F (-23° to 121°C)</p> <p>REPEATABILITY: 121°C) ± 2% of full set point range at 70°F (21°C) Ambient Temperature</p> <p>SWITCH TYPE: Snap Action</p> <p>MECHANICAL LIFE: 1,000,000 cycles</p>	<p>TEMPERATURE RANGE: Buna – N: -15° to +230°F (- Flying Leads, M12, Deutsch KAPTON®: -40° to +230°F (-40° to VITON®: 0° to +250°F (-18° to (® Registered Trademark</p> <p>MAXIMUM OVERPRESSURE: 250 PSI (17 Bar)</p> <p>WEIGHT: 0.08 lbs (0.04 kg)</p>
---	--	--

ORDERING INFORMATION

MPL	- * 2	- * R	- 4M	- A	- FL	- * 1
Model	Set Point	Direction	Port Size	Circuit	Terminal	Options
MPL- Field Adjustable	See Above Adjustment Ranges	R - PSI Rising F - PSI Falling BR - Bar Rising BF - Bar Falling	2M - 1/8NPT 4M - 1/4NPT 2G - 1/8BSPP 4G - 1/4BSPP	A - SPST / NO B - SPST / NC C - SPDT	SP - 1/4" x 1/32" Spade TS - 6-32 Terminal Screws FL - 18" Flying Leads FLL - Advise additional length of leads if required FLWTF - Weatherpack Tower Female FLWTM - Weatherpack Tower Male FLWSF - Weatherpack Shroud Female FLWSM - Weatherpack Shroud Male DI - Deutsch Integral M12 - M12 X 1	* - Omit If Standard 1 - VITON® Diaphragm 2 - EPDM Diaphragm 3 - KAPTON® Diaphragm 6 - Oxygen Cleaned 7 - Gold Contacts UL - UL Recognized** **For Selected Models Only - Consult Factory 12 - WRAS Approved

Distributed in Australia by:



Mottech Parkland Pty Ltd

Unit 14, 14 Ashtan Place | BANYO | QLD | 4014

PO Box 141 | BANYO | QLD | 4014

T: 07 3267 3522 | E: info@parkland.com.au